

LED

412 CLASSIC VANITY



Ideal for restrooms or other small areas, this product in the Classic series is stylish yet functional. Constructed of solid bar stock and extra rigid acrylic, the Classic Vanity will provide years of trouble free operation.

Indessa
LIGHTING

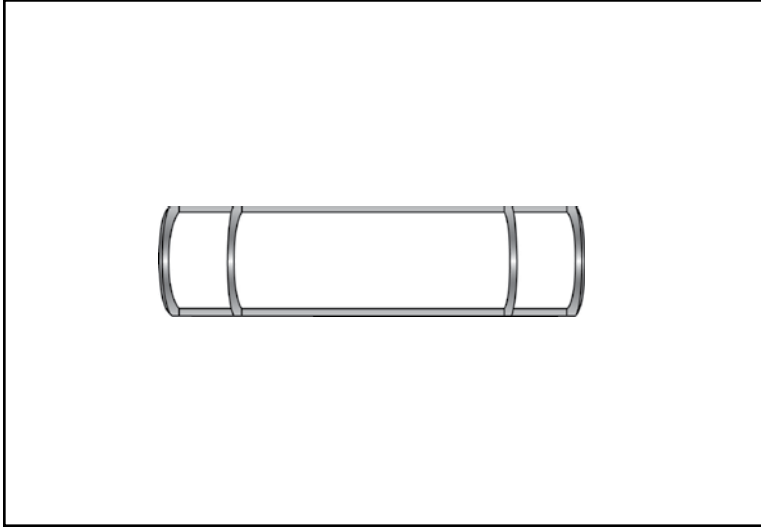
412 CLASSIC VANITY

TYPE

LED

PROJECT: _____

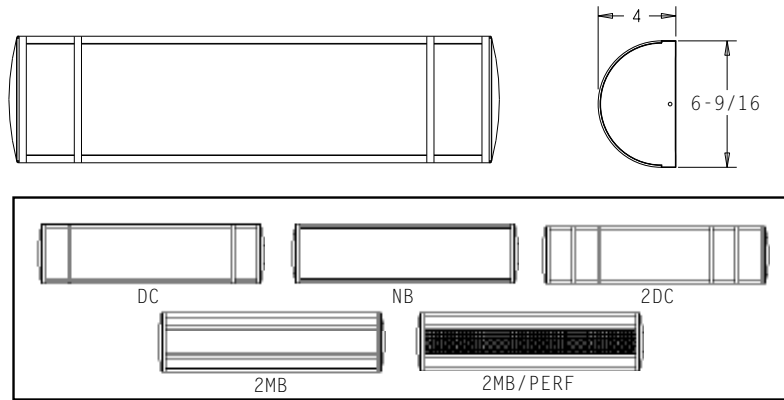
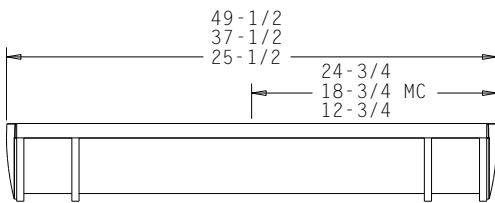
LOCATION: _____



FEATURES

- A timeless design available in a horizontal mount orientation. Ideal for vanities and stairwells.
- Sturdy construction using solid, die-cast aluminum bars provides years of trouble free use even in high traffic areas.
- Multiple bar configurations available.
- Standard 0-10V dimming driver.
- Meets all ADA requirements.
- Manufactured in the U.S.A.

DIMENSIONS



MC = Mounting Center

A 4" octagonal junction box should be used for installation.

ORDERING INFORMATION / OPTIONS EXAMPLE: 412-2LED9-WHT-DC-24

412

MODEL

412 - Classic Vanity

HOUSING FINISH

WHT – White
BLK – Black
SAL – Silver
BRZ – Bronze
BA – Brushed Aluminum
Consult factory for other finishes.

OPTIONS

DL – Damp Label
30K – 3000 Kelvin Temperature
35K – 3500 Kelvin Temperature
40K – 4000 Kelvin Temperature
IEM – Integral Emergency Driver

LENGTH

24" - 24"
 36" - 36"
 48" - 48"

LAMP

24" Version

2LED9 – 18w LED. 2200 Lumens
2LED14 – 28w LED. 3100 Lumens
2F14 – (2) 14w T5 Lamps

36" Version

2LED9 – 18w LED. 2200 Lumens
2LED14 – 28w LED. 3100 Lumens
2F21 – (2) 21w T5 Lamps

48" Version

1F32 – (1) 32w T8 Lamp
2F32 – (2) 32w T8 Lamps
2LED14 – 28w LED. 3100 Lumens
2LED19 – 38w LED. 4000 Lumens

Consult factory for other available lamps and LED Wattages.

BAR CONFIGURATION

DC – Double Cross Bar
NB – No Bars (except around perimeter of lens)
2DC – Two Double Cross Bars
2MB – Two Middle Bars
2MB/PERF – Two Middle Bars with Perf Center
Consult factory for other available configurations.

Indessa
LIGHTING

PHONE: 509.924.0243 • FAX: 509.924.2607 • www.indessa.com

Indessa Lighting reserves the right to make design revisions without prior notice.

