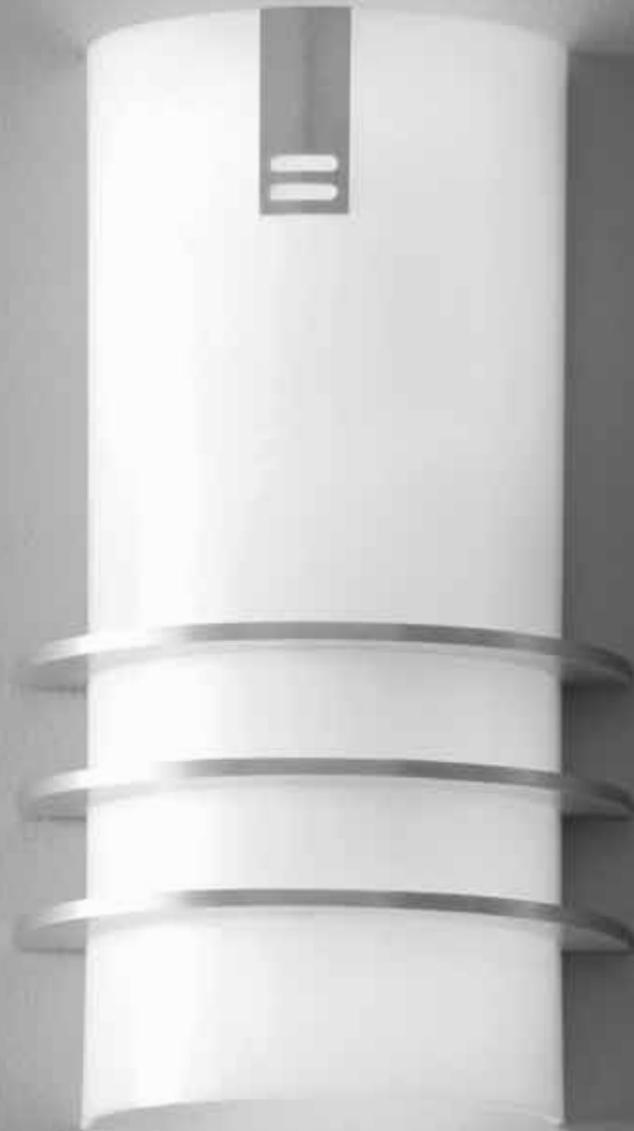


**LED**

# 480 BLADE



The Blade, with its three Saturn like rings, is a contemporary fixture that provides high levels of illumination within an ADA compliant fixture.

**Indessa**  
LIGHTING

# 480 BLADE

**LED**

TYPE

PROJECT: \_\_\_\_\_

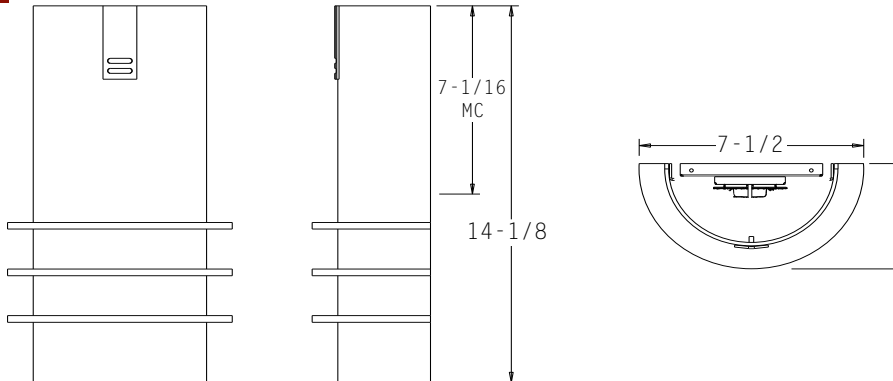
LOCATION: \_\_\_\_\_



## FEATURES

- Thick, symmetrical blades set this fixture apart from other cylindrical fixtures.
- Unique “skeleton” electrical system allows blades and lens to be attached with no visible fasteners.
- A variety of lamp options available for varying illumination requirements.
- Standard 0-10V dimming driver.
- Meets all ADA requirements.
- Manufactured in the U.S.A.

## DIMENSIONS



MC = Mounting Center

A 4" octagonal junction box should be used for installation.

## ORDERING INFORMATION / OPTIONS

EXAMPLE: 480-1LED14-BRZ

# 480

### MODEL

480 - Blade

### LAMP

**1LED9** – (1) 9W LED MODULE. 1100 Lumens  
**1LED14** – (1) 14W LED MODULE. 1550 Lumens  
**1LED19** – (1) 19W LED MODULE. 2000 Lumens

Consult factory for other available lamps.

### BLADE FINISH

**WHT** – White  
**BLK** – Black  
**SAL** – Silver  
**BRZ** – Bronze  
**BA** – Brushed Aluminum  
*Consult factory for other finishes.*

### OPTIONS

**DL** – Damp Label  
**30K** – 3000 Kelvin Temperature  
**35K** – 3500 Kelvin Temperature  
**40K** – 4000 Kelvin Temperature

**Indessa**  
LIGHTING

PHONE: 509.924.0243 • FAX: 509.924.2607 • [www.indessa.com](http://www.indessa.com)

Indessa Lighting reserves the right to make design revisions without prior notice.

